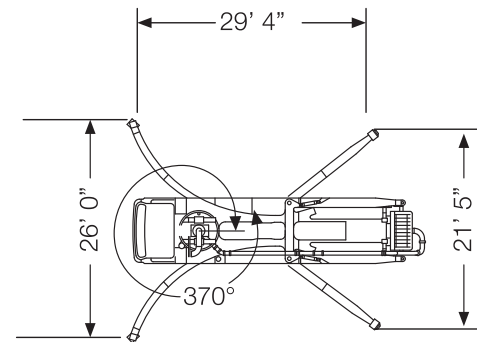
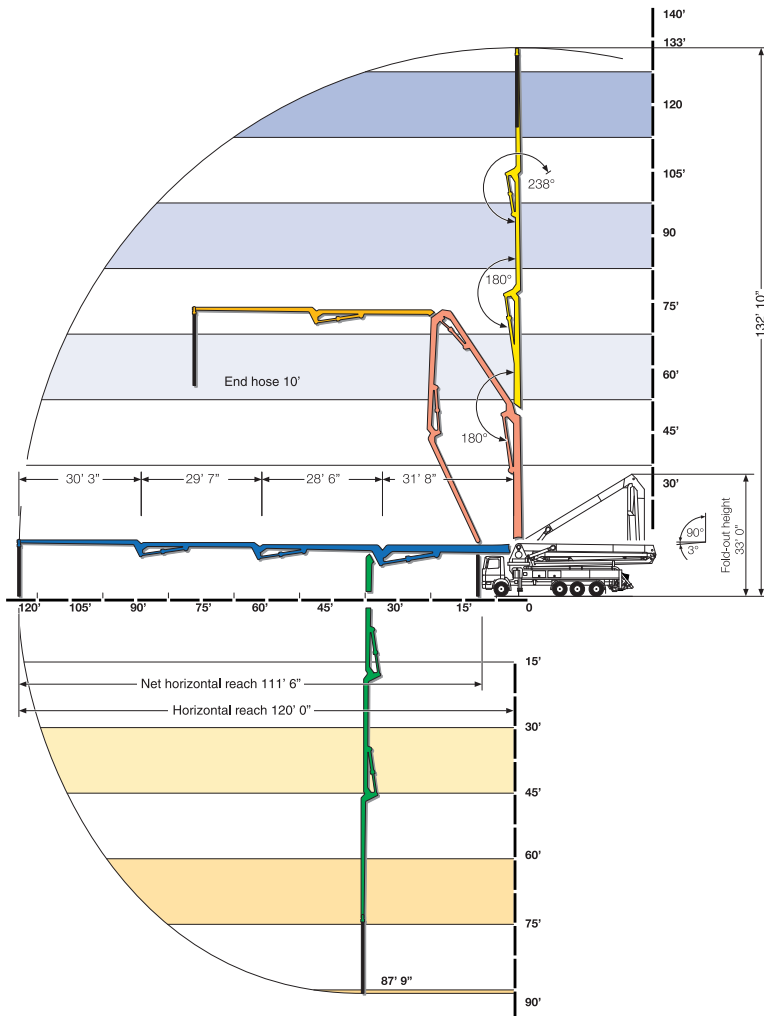





OUTRIGGER SPREADS & LOADS

FRONT Outrigger Spread	20 ft
REAR Outrigger Spread	21 ft 5 in
FRONT TO REAR Outrigger Length	29 ft 4 in
MAX FRONT Outrigger Load	40,466 lbf
MAX REAR Outrigger Load	40,466 lbf

All dimensions and weights are approximate.





Our full time safety department provides a robust safety and **Risk Management Program**, including regular safety checks on your job.