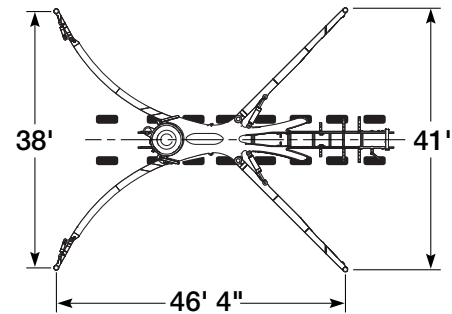


## OUTRIGGER SPREADS & LOADS

<b>FRONT</b> Outrigger Spread	38 ft
<b>REAR</b> Outrigger Spread	41 ft
<b>FRONT TO REAR</b> Outrigger Length	46 ft 4 in
<b>MAX FRONT</b> Outrigger Load	105,661 lbf
<b>MAX REAR</b> Outrigger Load	92,172 lbf

All dimensions and weights are approximate.



Booms over 47-Meters have high ground soil pressures that often require additional dunnage. We have the **expertise to set big booms up properly**, providing a safe work zone for everyone on the job site. Steel plates, crane pads or similar may need to be provided by the customer.