



OUTRIGGER SPREADS & LOADS

FRONT
Outrigger Spread 29 ft 2 in

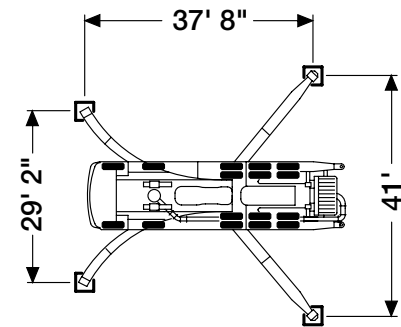
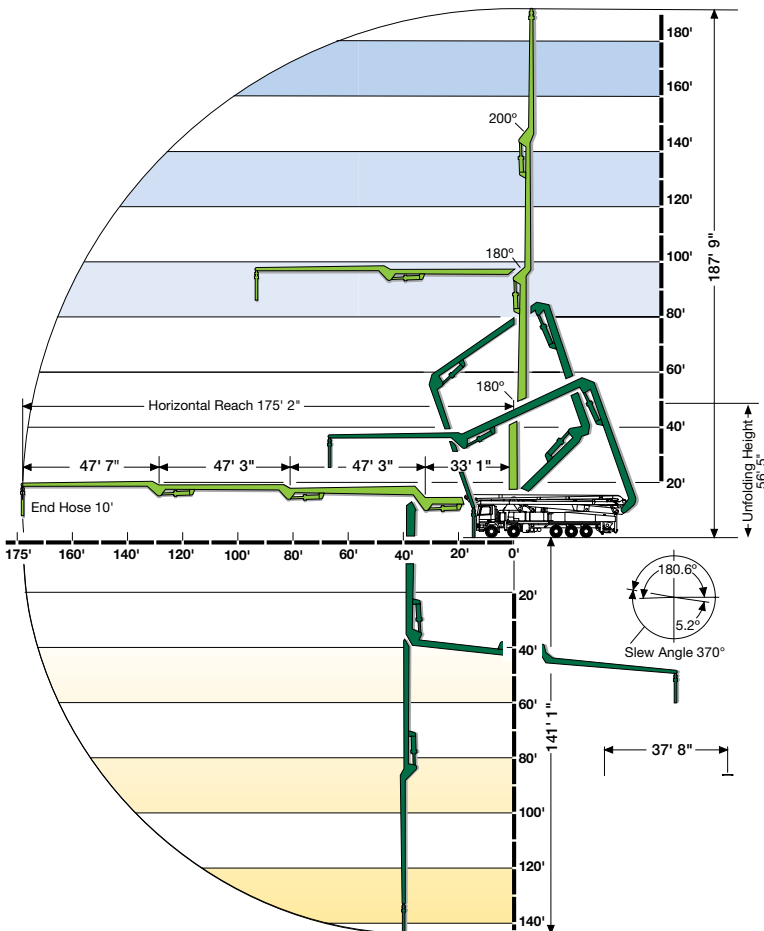
REAR
Outrigger Spread 41 ft


FRONT TO REAR
Outrigger Length 37 ft 8 in

MAX FRONT
Outrigger Load 83,179 lbf

MAX REAR
Outrigger Load 80,931 lbf

All dimensions and weights are approximate.





Booms over 47-Meters have high ground soil pressures that often require additional dunnage. We have the **expertise to set big booms up properly**, providing a safe work zone for everyone on the job site. Steel plates, crane pads or similar may need to be provided by the customer.