



OUTRIGGER SPREADS & LOADS

FRONT
Outrigger Spread 27 ft 3 in

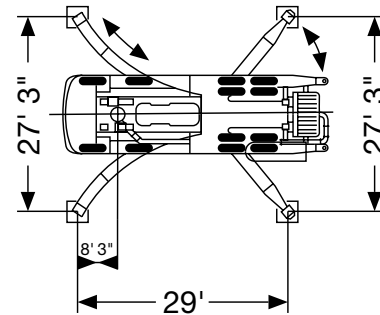
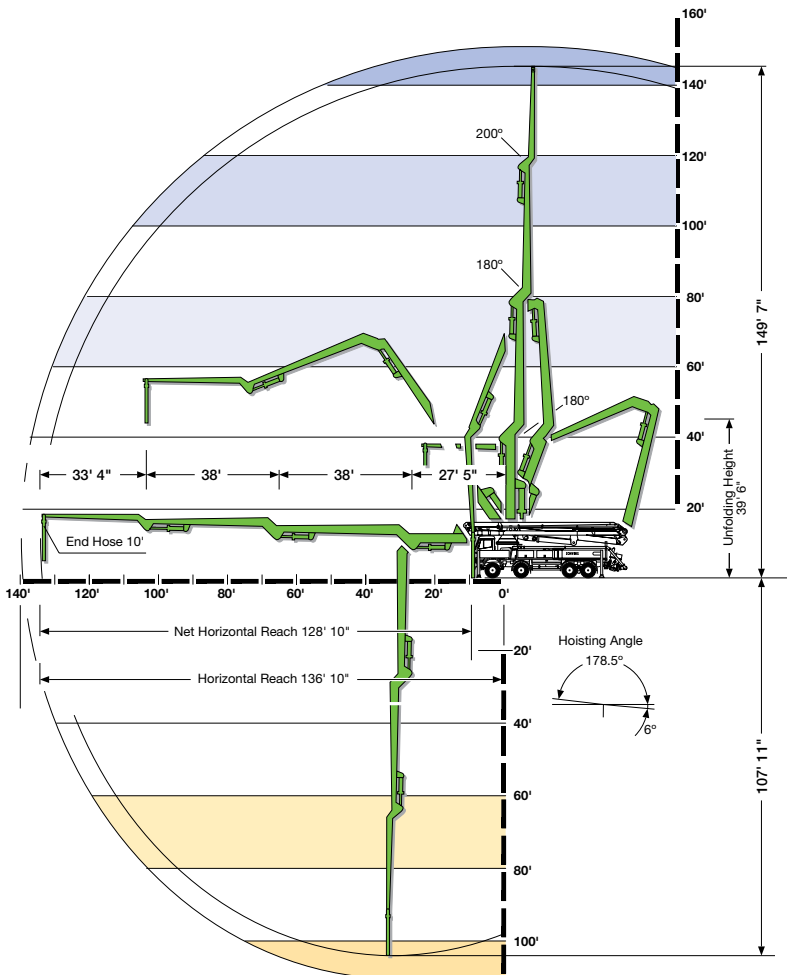
REAR
Outrigger Spread 27 ft 3 in

FRONT TO REAR
Outrigger Length 29 ft 0 in

MAX FRONT
Outrigger Load 58,500 lbf

MAX REAR
Outrigger Load 56,200 lbf

All dimensions and weights are approximate.



Our sales and management teams are always on call, **ready to act quickly** in the event of a mechanical issue.