



OUTRIGGER SPREADS & LOADS

FRONT
Outrigger Spread 26 ft

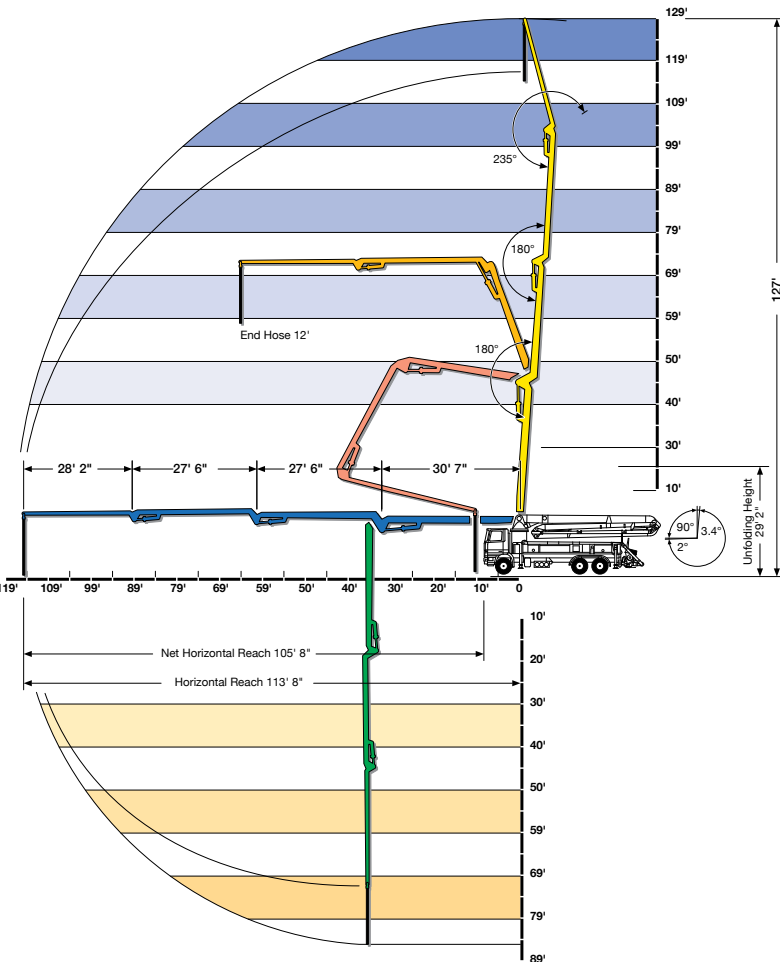
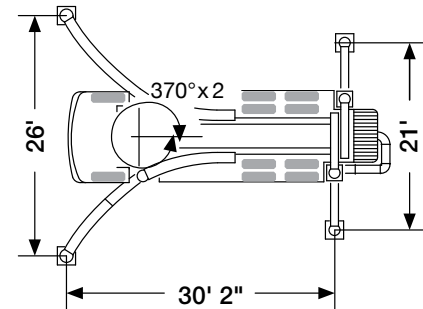
REAR
Outrigger Spread 21 ft


FRONT TO REAR
Outrigger Length 30 ft 2 in

MAX FRONT
Outrigger Load 40,466 lbf

MAX REAR
Outrigger Load 40,466 lbf

All dimensions and weights are approximate.





Our highly trained dispatchers utilize the latest dispatching software and are connected with our fleet via GPS, improving efficiency and **communication**.