

OUTRIGGER SPREADS & LOADS

FRONT
Outrigger Spread 20 ft 5 in

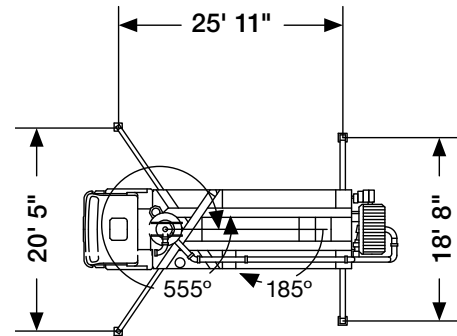
REAR
Outrigger Spread 18 ft 8 in

FRONT TO REAR
Outrigger Length 25 ft 11 in

MAX FRONT
Outrigger Load 40,466 lbf

MAX REAR
Outrigger Load 31,473 lbf

All dimensions and weights are approximate.



All of our concrete pump operators are **trained and certified** to maintain the highest safety standards and achieve the highest degree of professionalism, ensuring your pours are completed safely and efficiently.