

## OUTRIGGER SPREADS & LOADS

**FRONT**  
Outrigger Spread 20 ft 8 in

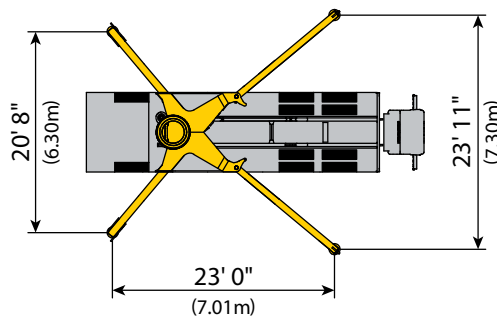
**REAR**  
Outrigger Spread 23 ft 11 in

**FRONT TO REAR**  
Outrigger Length 23 ft

**MAX FRONT**  
Outrigger Load 47,210 lbf

**MAX REAR**  
Outrigger Load 47,210 lbf

All dimensions and weights are approximate.



We invest in the **safety of everyone** working around a concrete pump, with Back End Covers, Whip Resistant Hoses, and Power Line Procedures.