

## OUTRIGGER SPREADS & LOADS

**FRONT**  
Outrigger Spread 29 ft 2 in

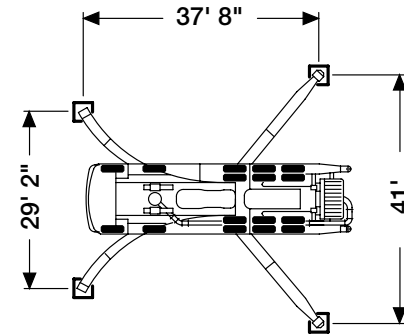
**REAR**  
Outrigger Spread 41 ft 0 in

**FRONT TO REAR**  
Outrigger Length 37 ft 8 in

**MAX FRONT**  
Outrigger Load 83,179 lbf

**MAX REAR**  
Outrigger Load 80,931 lbf

All dimensions and weights are approximate.



Booms over 47-Meters have high ground soil pressures that often require additional dunnage. We have the **expertise to set big booms up properly**, providing a safe work zone for everyone on the job site. Steel plates, crane pads or similar may need to be provided by the customer.