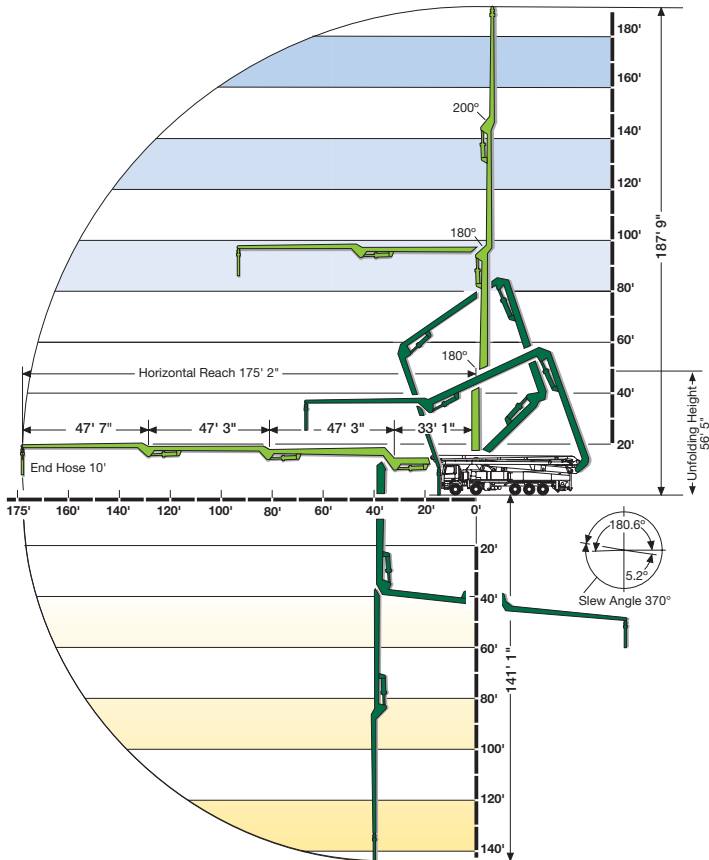


# S 58 SX



## OUTRIGGER SPREADS & LOADS

**FRONT**  
Outrigger Spread **29 ft 2 in**

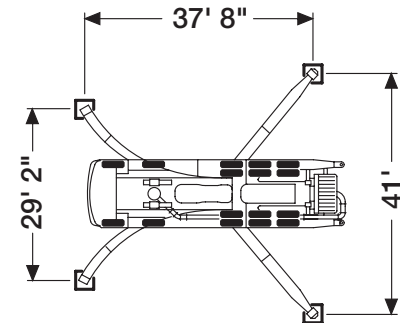
**REAR**  
Outrigger Spread **41 ft**

**FRONT TO REAR**  
Outrigger Length **37 ft 8 in**

**MAX FRONT**  
Outrigger Load **83,179 lbf**

**MAX REAR**  
Outrigger Load **80,931 lbf**

\* All dimensions and weights are approximate.



Booms over 47-Meters have high ground soil pressures that often require additional dunnage. Brundage-Bone has the expertise to set these big booms up properly, providing a safe work zone for everyone on the job site. Steel plates, crane pads or similar may need to be provided by the customer.