



OUTRIGGER SPREADS & LOADS

FRONT
Outrigger Spread 26 ft 1 in

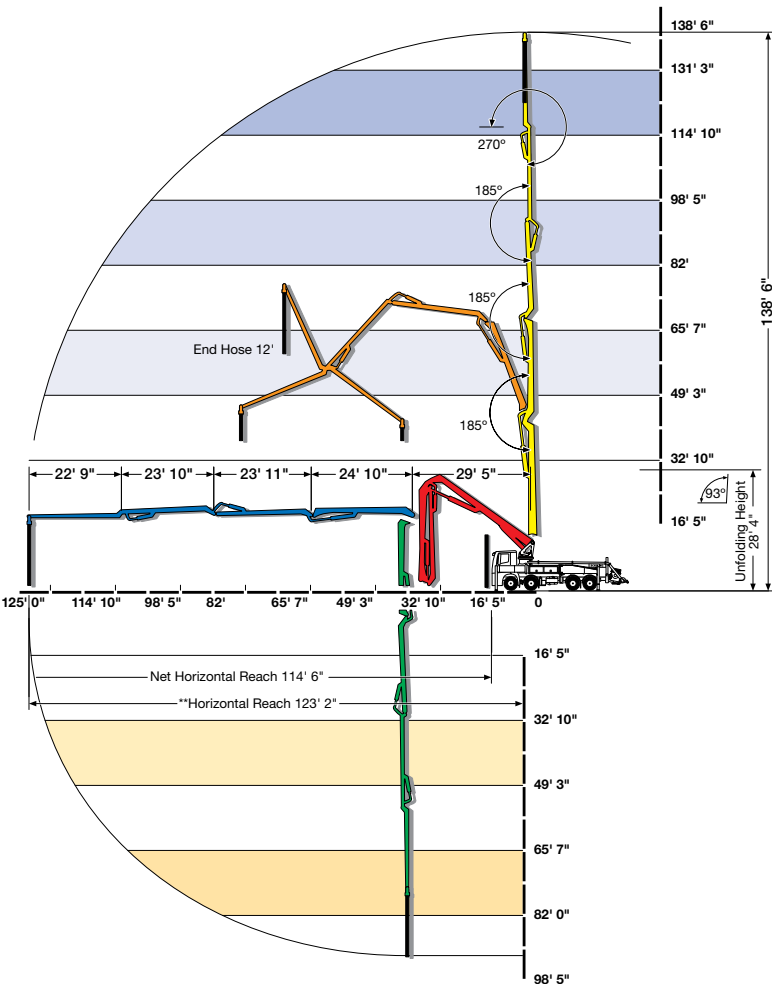
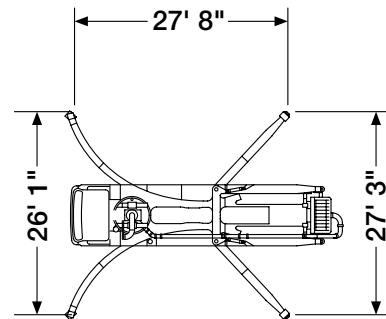
REAR
Outrigger Spread 27 ft 3 in

FRONT TO REAR
Outrigger Length 27 ft 8 in

MAX FRONT
Outrigger Load 53,954 lbf

MAX REAR
Outrigger Load 53,954 lbf

All dimensions and weights are approximate.





We employ a team of **full time Boom Inspectors** that are highly trained to keep up with the demand of inspecting equipment so it's ready for your project.