



OUTRIGGER SPREADS & LOADS

FRONT
Outrigger Spread 20 ft 0 in

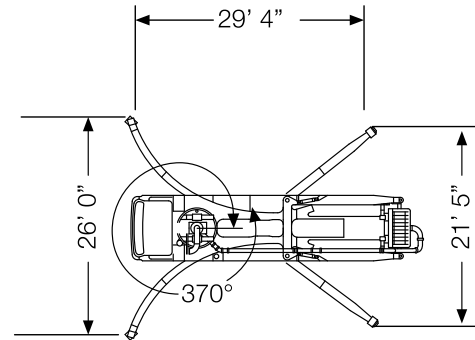
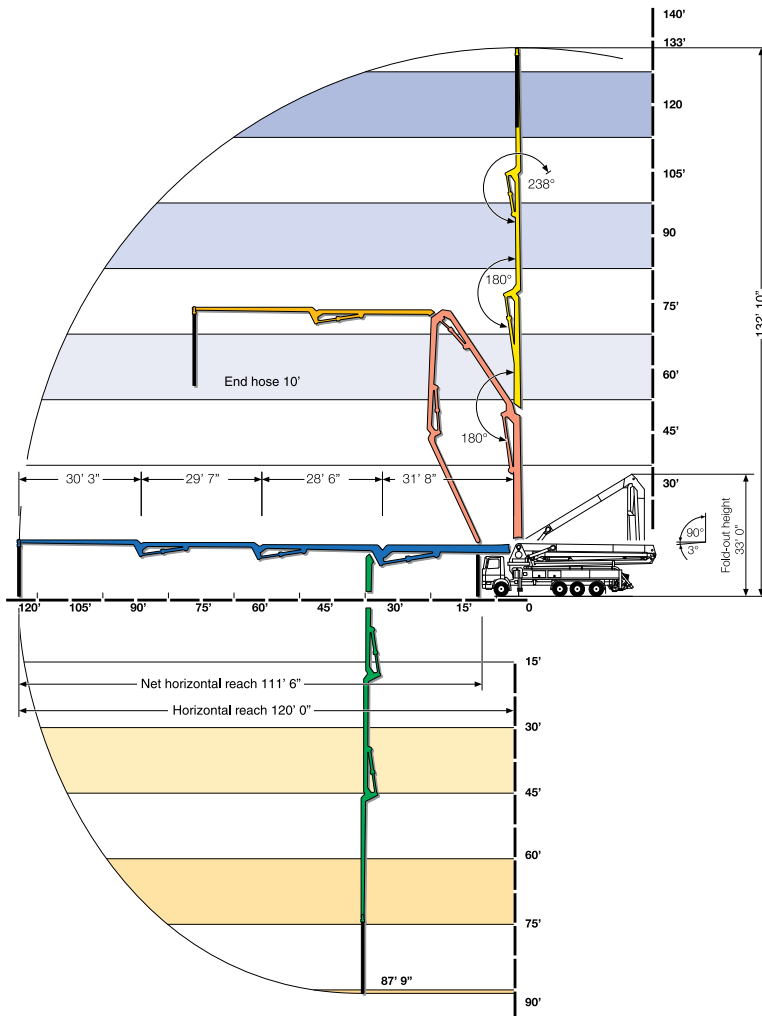
REAR
Outrigger Spread 21 ft 5 in

FRONT TO REAR
Outrigger Length 29 ft 4 in

MAX FRONT
Outrigger Load 40,466 lbf

MAX REAR
Outrigger Load 40,466 lbf

All dimensions and weights are approximate.



Our full time safety department provides a robust safety and **Risk Management Program**, including regular safety checks on your job.