

OUTRIGGER SPREADS & LOADS

FRONT
Outrigger Spread **26 ft**

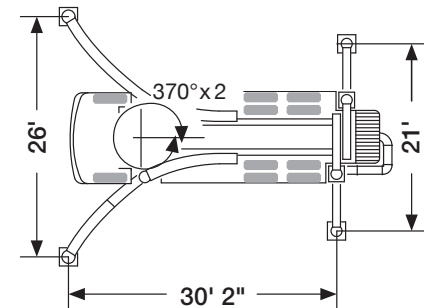
REAR
Outrigger Spread **21 ft**


FRONT TO REAR
Outrigger Length **30 ft 2 in**

MAX FRONT
Outrigger Load **40,466 lbf**

MAX REAR
Outrigger Load **40,466 lbf**

* All dimensions and weights are approximate.





Our longevity in the concrete industry is the result of team effort and strong commitment to superior service for our customers.