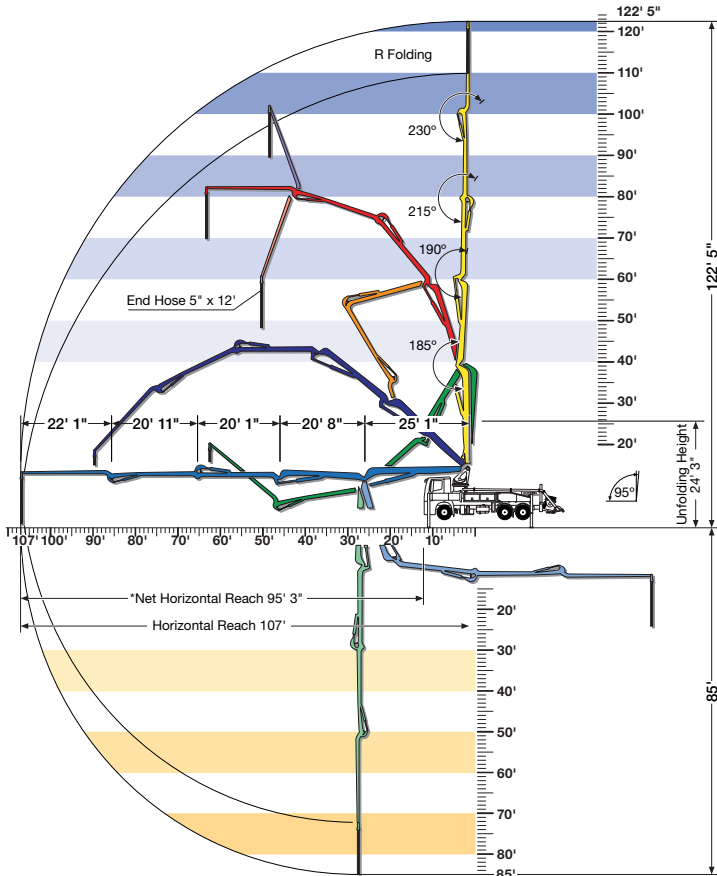


S 38 SX



OUTRIGGER SPREADS & LOADS

FRONT
Outrigger Spread **22 ft 10 in**

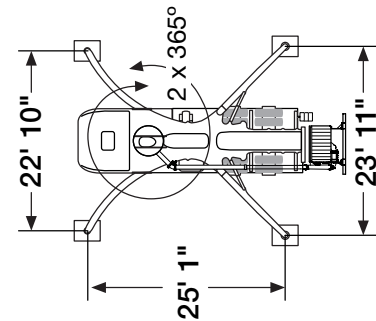
REAR
Outrigger Spread **23 ft 11 in**

FRONT TO REAR
Outrigger Length **25 ft 1 in**

MAX FRONT
Outrigger Load **43,838 lbf**

MAX REAR
Outrigger Load **46,086 lbf**

* All dimensions and weights are approximate.



No matter the location or size of the job, Brundage-Bone is **The Contractor's Choice** providing the highest value and competitive pricing to our customers.