

OUTRIGGER SPREADS & LOADS

FRONT
Outrigger Spread **20 ft 5 in**

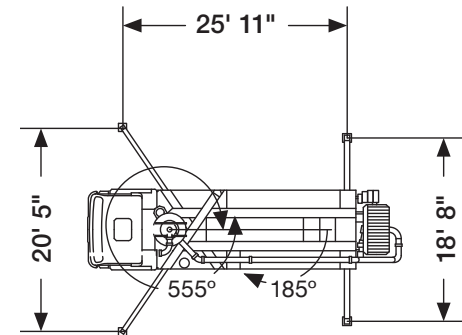
REAR
Outrigger Spread **18 ft 8 in**

FRONT TO REAR
Outrigger Length **25 ft 11 in**

MAX FRONT
Outrigger Load **40,466 lbf**

MAX REAR
Outrigger Load **31,473 lbf**

* All dimensions and weights are approximate.



We have the largest fleet of pumps available, including line pumps and placing booms, with the widest range of boom sizes and configurations to meet the ever-changing demands of your projects.