

OUTRIGGER SPREADS & LOADS

FRONT
Outrigger Spread 18 ft 4 in

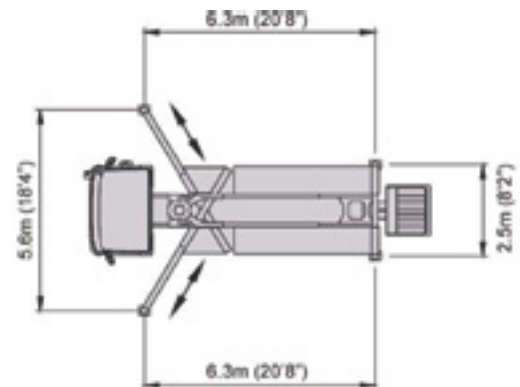
REAR
Outrigger Spread 8 ft 2 in

FRONT TO REAR
Outrigger Length 20 ft 8 in

MAX FRONT
Outrigger Load 29,225 lbf

MAX REAR
Outrigger Load 22,481 lbf

All dimensions and weights are approximate.



We operate the largest fleet of **truck mounted conveyors** in the US, ready to mobilize at any time. Our conveyors are a versatile tool for difficult concrete mixes or specialty placing of aggregates, with a wide range of material handling hoppers.