



## OUTRIGGER SPREADS & LOADS

**FRONT**  
Outrigger Spread 28 ft 9 in

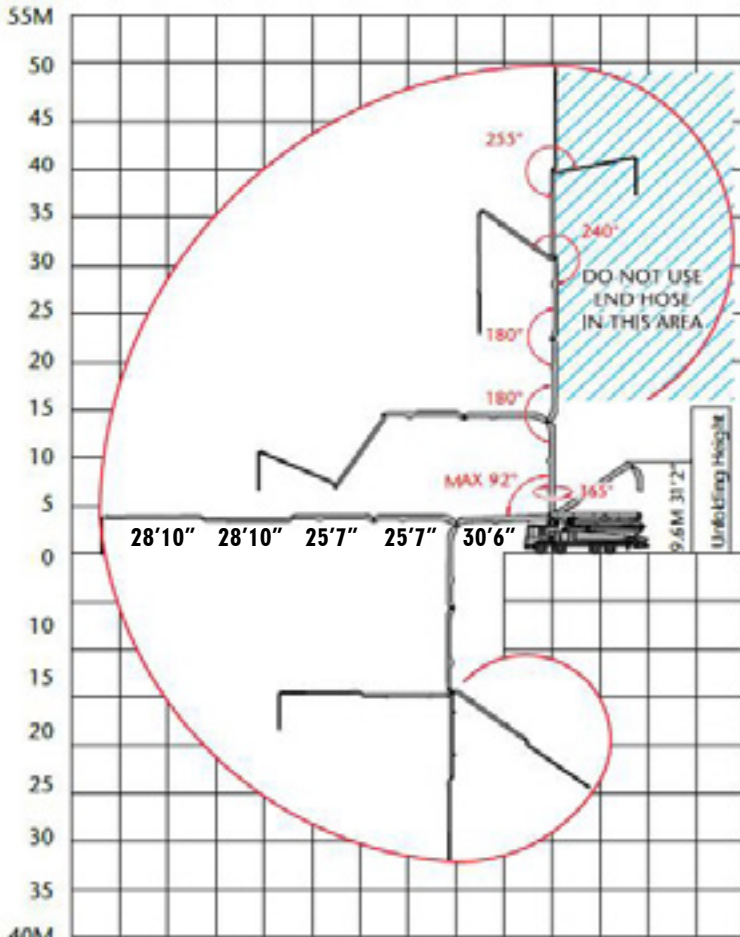
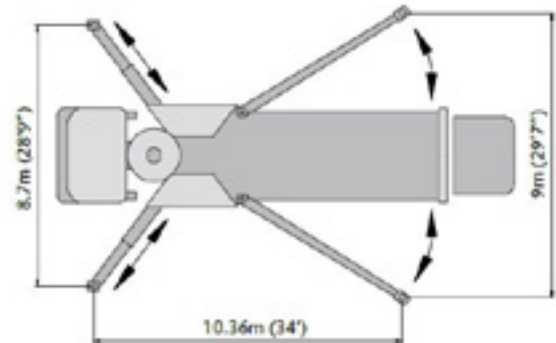
**REAR**  
Outrigger Spread 29 ft 7 in

**FRONT TO REAR**  
Outrigger Length 34 ft

**MAX FRONT**  
Outrigger Load 67,443 lbf

**MAX REAR**  
Outrigger Load 67,443 lbf

All dimensions and weights are approximate.



Booms over 47-Meters have high ground soil pressures that often require additional dunnage. We have the **expertise to set big booms up properly**, providing a safe work zone for everyone on the job site. Steel plates, crane pads or similar may need to be provided by the customer.