



OUTRIGGER SPREADS & LOADS

FRONT
Outrigger Spread 20 ft 4 in

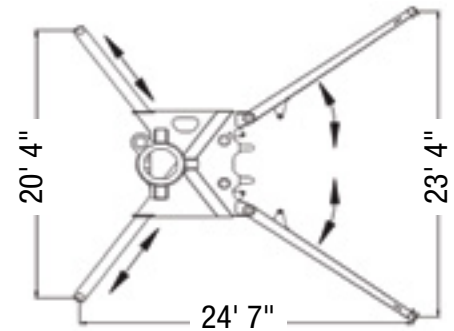
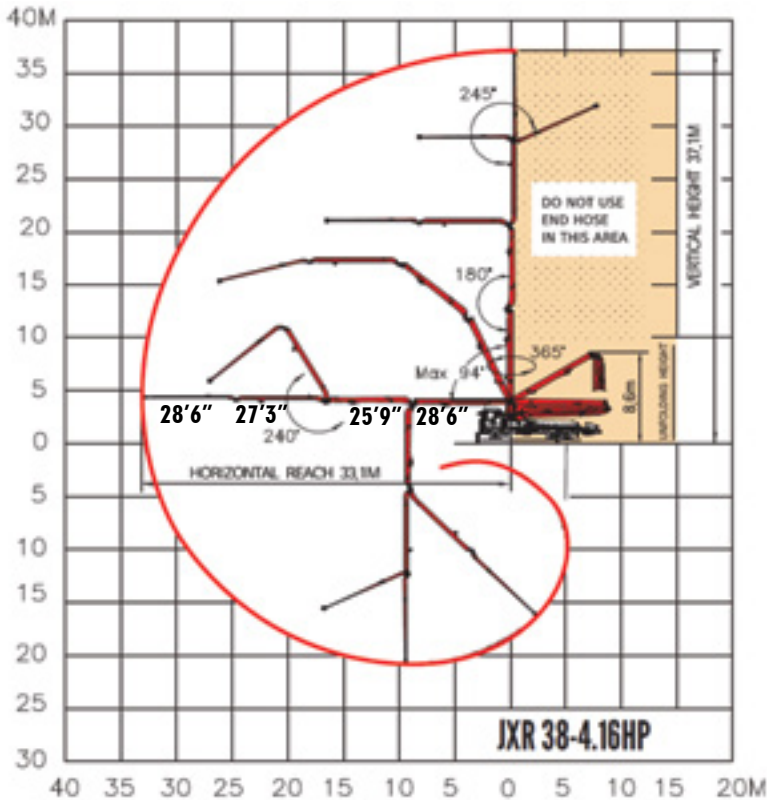
REAR
Outrigger Spread 23 ft 4 in

FRONT TO REAR
Outrigger Length 24 ft 7 in

MAX FRONT
Outrigger Load 37,100 lbf

MAX REAR
Outrigger Load 37,100 lbf

All dimensions and weights are approximate.



We have the **largest fleet** of pumps available, including line pumps and placing booms, with the widest range of boom sizes and configurations to meet the ever-changing demands of your projects.