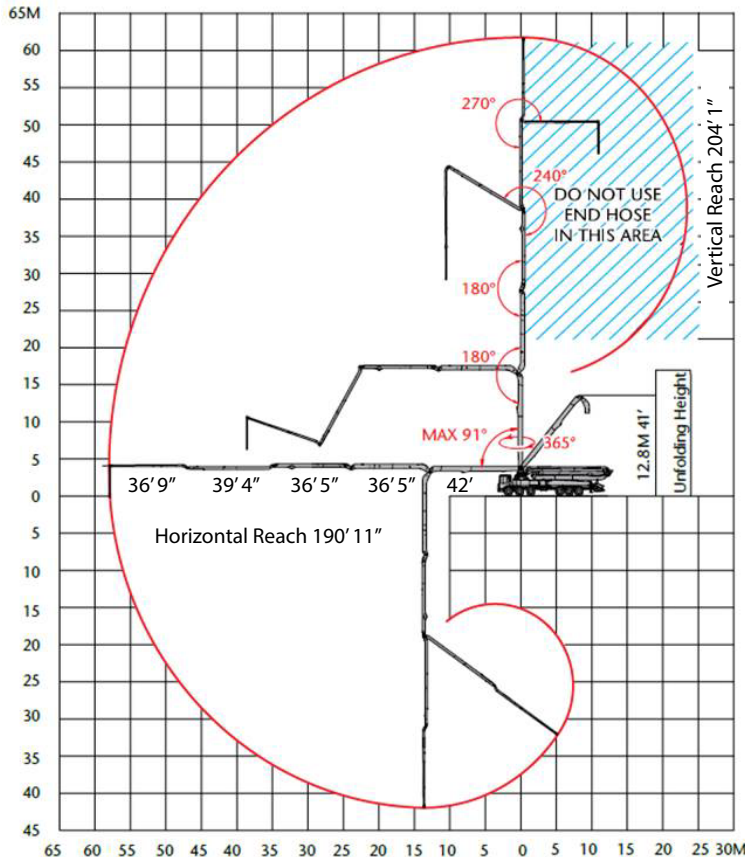


JJRZ 63-5



OUTRIGGER SPREADS & LOADS

FRONT
Outrigger Spread **36 ft 4 in**

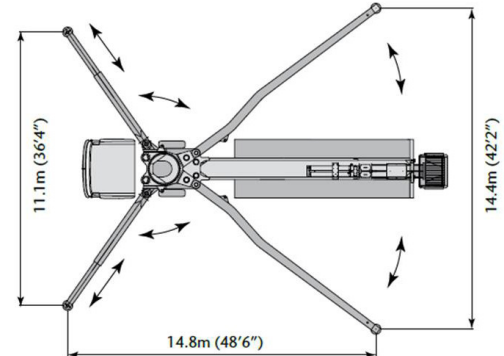
REAR
Outrigger Spread **42 ft 2 in**

FRONT TO REAR
Outrigger Length **48 ft 6 in**

MAX FRONT
Outrigger Load **112,404 lbf**

MAX REAR
Outrigger Load **112,404 lbf**

* All dimensions and weights are approximate.



Booms over 47-Meters have high ground soil pressures that often require additional dunnage. Brundage-Bone has the expertise to set these big booms up properly, providing a safe work zone for everyone on the job site. Steel plates, crane pads or similar may need to be provided by the customer.