

OUTRIGGER SPREADS & LOADS

FRONT
Outrigger Spread **20 ft 8 in**

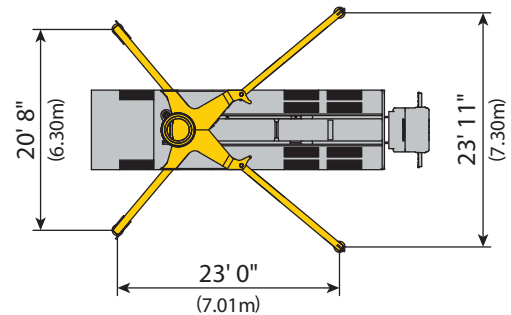
REAR
Outrigger Spread **23 ft 11 in**

FRONT TO REAR
Outrigger Length **23 ft**

MAX FRONT
Outrigger Load **47,210 lbf**

MAX REAR
Outrigger Load **47,210 lbf**

* All dimensions and weights are approximate.



Our Maintenance Program sets the high standard in the industry. Identifying and correcting issues before they happen is a big part of what keeps your pour on schedule.