

OUTRIGGER SPREADS & LOADS

FRONT
Outrigger Spread 20 ft 7 in

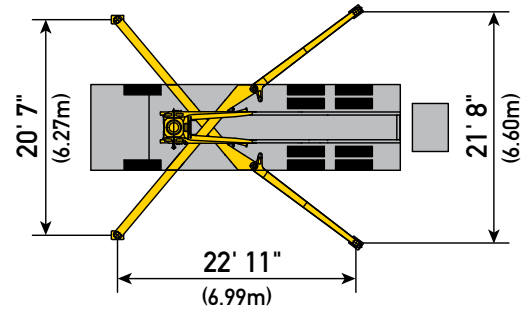
REAR
Outrigger Spread 21 ft 8 in

FRONT TO REAR
Outrigger Length 22 ft 11 in

MAX FRONT
Outrigger Load 47,210 lbf

MAX REAR
Outrigger Load 47,210 lbf

All dimensions and weights are approximate.



Our highly trained dispatchers utilize the latest dispatching software and are connected with our fleet via GPS, improving efficiency and **communication**.