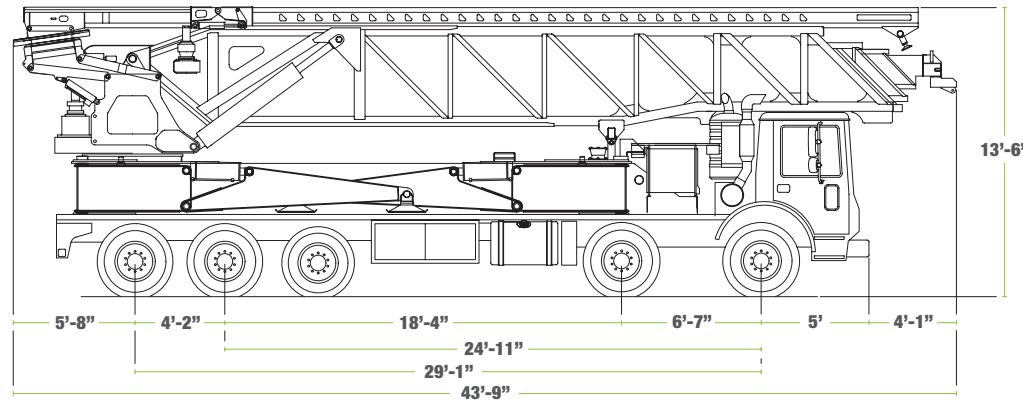


SPECIFICATIONS

LB40T5-20

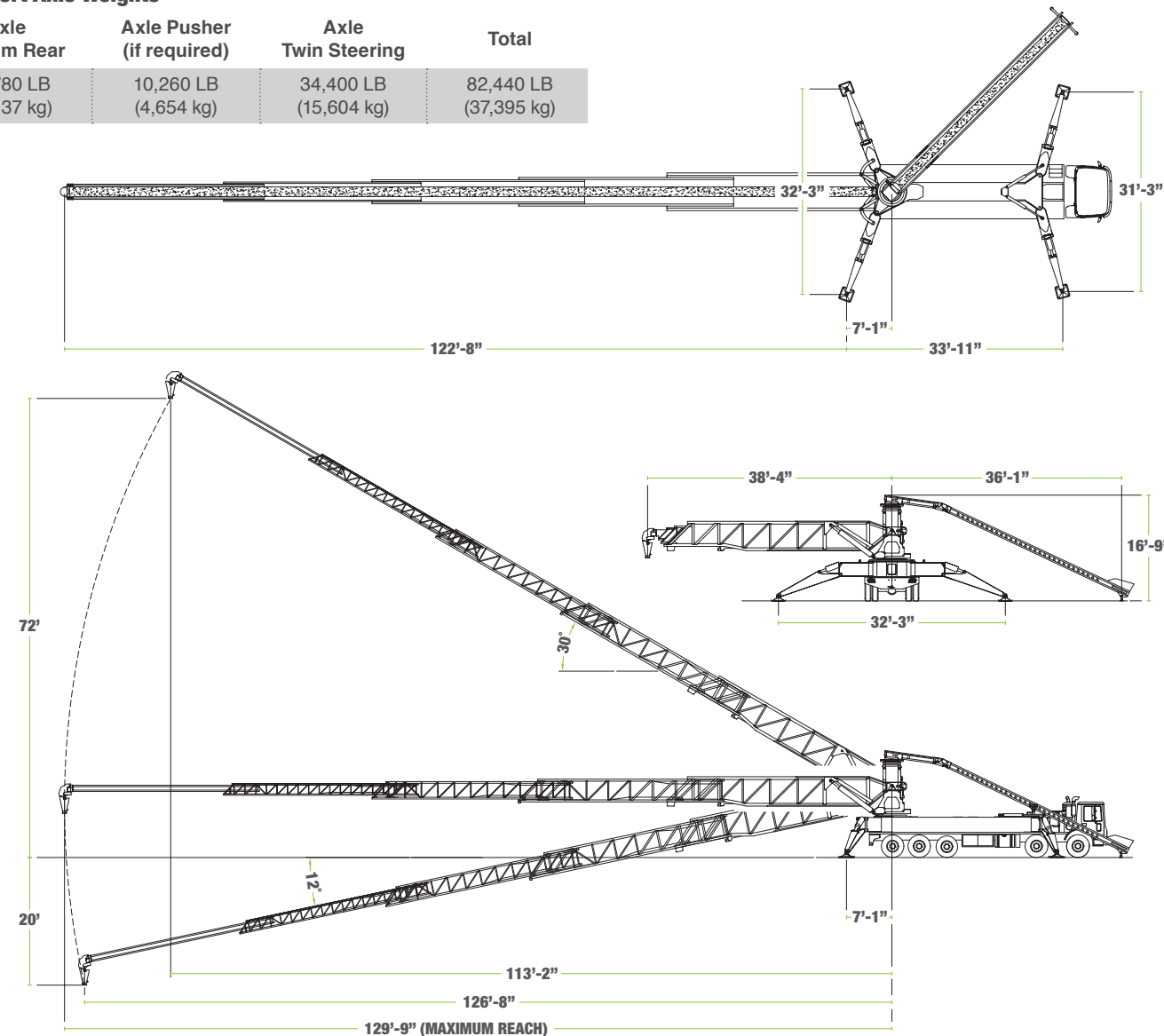


General Dimensions

Height	13' 6" 4.11 Meters
Width	8' 6" 2.59 Meters
Length	43' 9" 13.33 Meters

Transport Axle Weights

Axle Tandem Rear	Axle Pusher (if required)	Axle Twin Steering	Total
37,780 LB (17,137 kg)	10,260 LB (4,654 kg)	34,400 LB (15,604 kg)	82,440 LB (37,395 kg)



Conveyors

	U.S.	Metric
Conveyor horizontal reach		
Maximum at 0°	129' 9"	39.56 m
Maximum at 30°	113' 2"	34.49 m
Conveyor belt width	20"	508 mm
Feed conveyor length	40'	12.19 m
Feed conveyor belt width	20"	508 mm
Discharge height from grade		
Maximum at 30°	72'	21.94 m
Maximum at -12°	20'	6.10 m
Main & feed conveyors		
Observed capacity at 0°	8.40 cu yds/min	4.47 cu m/min
Observed capacity at 20°	5.33 cu yds/min	3.42 cu m/min

Outriggers

	U.S.	Metric
Net reach beyond outriggers		
Maximum at 0°	122' 8"	37.39 m
Maximum at 30°	106'	32.31 m
Outrigger spread L-R front hydraulic out	31' 3"	9.52 m
Outrigger spread L-R rear hydraulic out	32' 3"	9.83 m
Outrigger spread front to rear	33' 11"	10.34 m

General Specifications

	U.S.	Metric
Water tank capacity	150 gal	567.8 L
Hydraulic tank capacity (with cooler)	180 gal	681.4 L

Truck Specifications

	U.S.	Metric
Weight	22,500 LB	10,206 kg
Engine horsepower	425 HP	317 kW
Wheelbase	324"	8,230 mm
Cab height	104"	2,642 mm
Fuel tank capacity	80 gal	303 L

All specifications are subject to change.