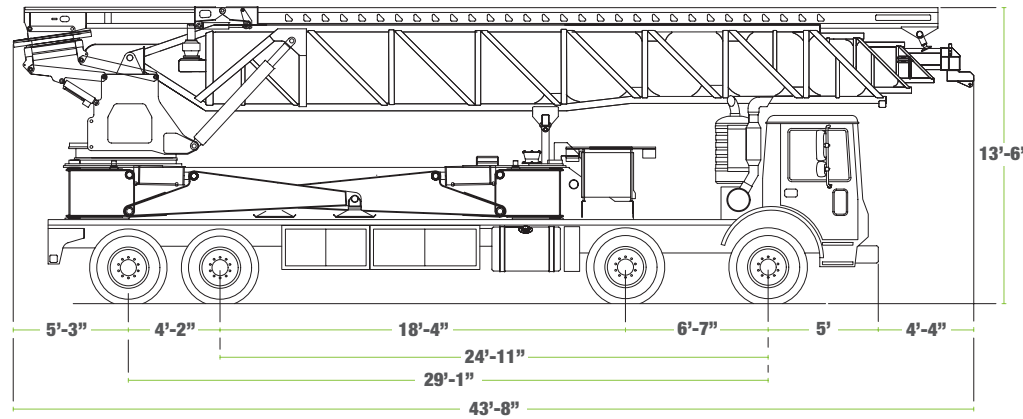


SPECIFICATIONS

LB33T4-20

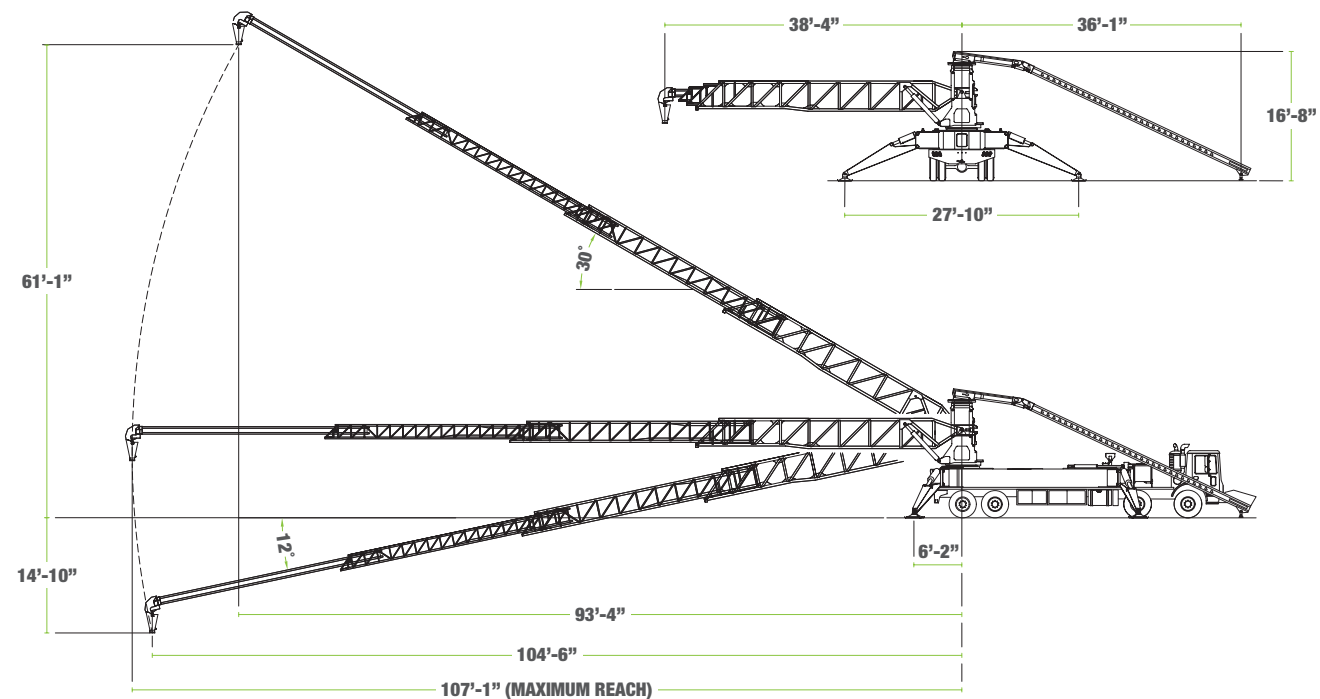
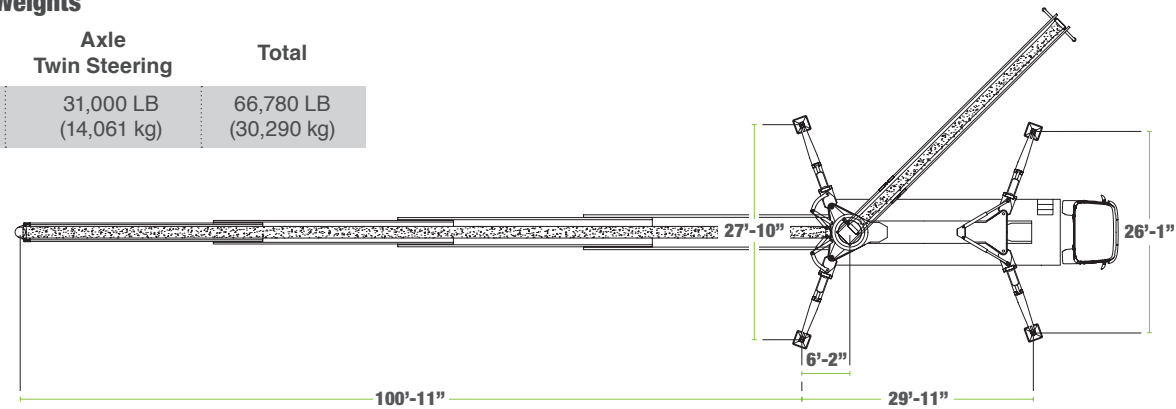


General Dimensions

Height	13' 6" 4.11 Meters
Width	8' 6" 2.59 Meters
Length	43' 8" 13.31 Meters

Transport Axle Weights

Axle Tandem Rear	Axle Twin Steering	Total
35,780 LB (16,229 kg)	31,000 LB (14,061 kg)	66,780 LB (30,290 kg)



Conveyors

	U.S.	Metric
Conveyor horizontal reach		
Maximum at 0°	107' 1"	32.64 m
Maximum at 30°	93' 4"	28.45 m
Conveyor belt width	20"	508 mm
Feed conveyor length	40'	12.19 m
Feed conveyor belt width	20"	508 mm
Discharge height from grade		
Maximum at 30°	61' 1"	18.62 m
Maximum at -12°	14' 10"	4.52 m
Main & feed conveyors		
Observed capacity at 0°	8.40 cu yds/min	4.47 cu m/min
Observed capacity at 25°	5.33 cu yds/min	3.42 cu m/min

Outriggers

	U.S.	Metric
Net reach beyond outriggers		
Maximum at 0°	100' 11"	30.76 m
Maximum at 30°	87' 2"	26.57 m
Outrigger spread L-R front hydraulic out	26' 1"	7.95 m
Outrigger spread L-R rear hydraulic out	27' 10"	8.48 m
Outrigger spread front to rear	29' 11"	9.12 m

General Specifications

	U.S.	Metric
Water tank capacity	150 gal	567.8 L
Hydraulic tank capacity (with cooler)	180 gal	681.4 L

Truck Specifications

	U.S.	Metric
Weight	21,000 LB	9,525 kg
Engine horsepower	425 HP	317 kW
Wheelbase	324"	8,230 mm
Cab height	104"	2,642 mm
Fuel tank capacity	80 gal	303 L

All specifications are subject to change.