

S 31 XT

OUTRIGGER SPREADS & LOADS

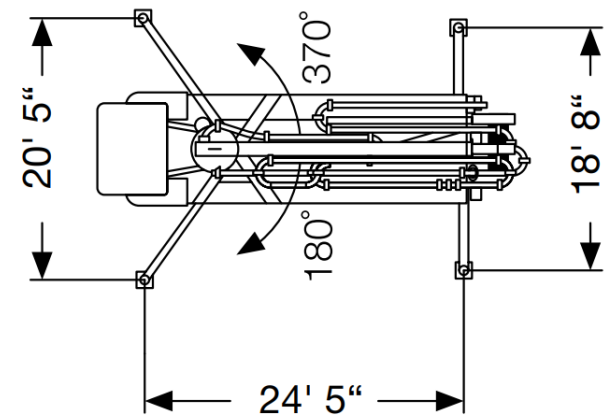
FRONT
Outrigger Spread 20 ft 5 in

REAR
Outrigger Spread 18 ft 8 in

FRONT TO REAR
Outrigger Length 24 ft 5 in

MAX FRONT
Outrigger Load 44,962 lbf

MAX REAR
Outrigger Load 35,970 lbf



* All dimensions and weights are approximate.