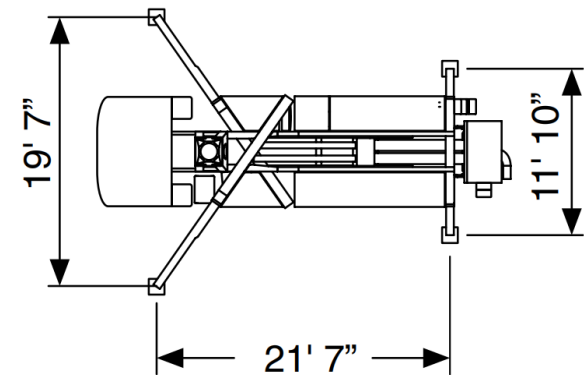


S 28 X

OUTRIGGER SPREADS & LOADS

FRONT Outrigger Spread	19 ft 7 in
REAR Outrigger Spread	11 ft 10 in
FRONT TO REAR Outrigger Length	21 ft 7 in
MAX FRONT Outrigger Load	29,225 lbf
MAX REAR Outrigger Load	22,481 lbf



* All dimensions and weights are approximate.