

38Z-5-Meter

OUTRIGGER SPREADS & LOADS

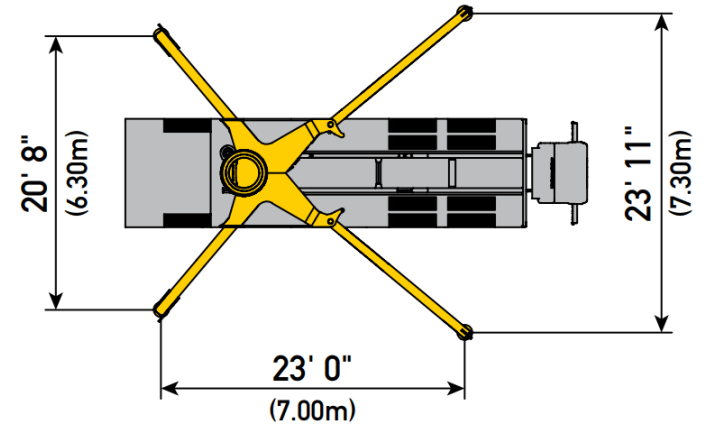
FRONT
Outrigger Spread 20 ft 8 in

REAR
Outrigger Spread 23 ft 11 in

FRONT TO REAR
Outrigger Length 23 ft 0 in

MAX FRONT
Outrigger Load 43,838 lbf

MAX REAR
Outrigger Load 47,210 lbf



* All dimensions and weights are approximate.