

28Z - Meter

OUTRIGGER SPREADS & LOADS

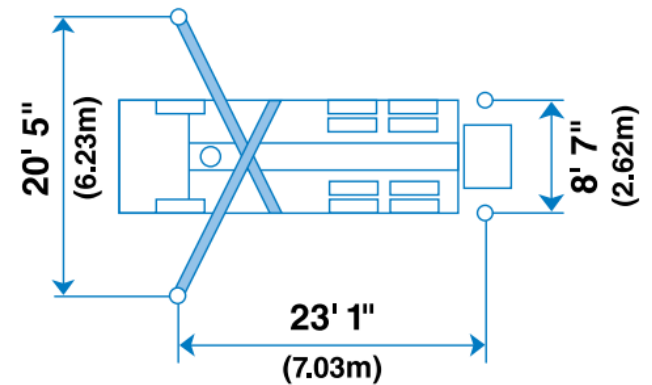
FRONT
Outrigger Spread 20 ft 5 in

REAR
Outrigger Spread 8 ft 7 in

FRONT TO REAR
Outrigger Length 23 ft 1 in

MAX FRONT
Outrigger Load 35,970 lbf

MAX REAR
Outrigger Load 22,480 lbf



* All dimensions and weights are approximate.